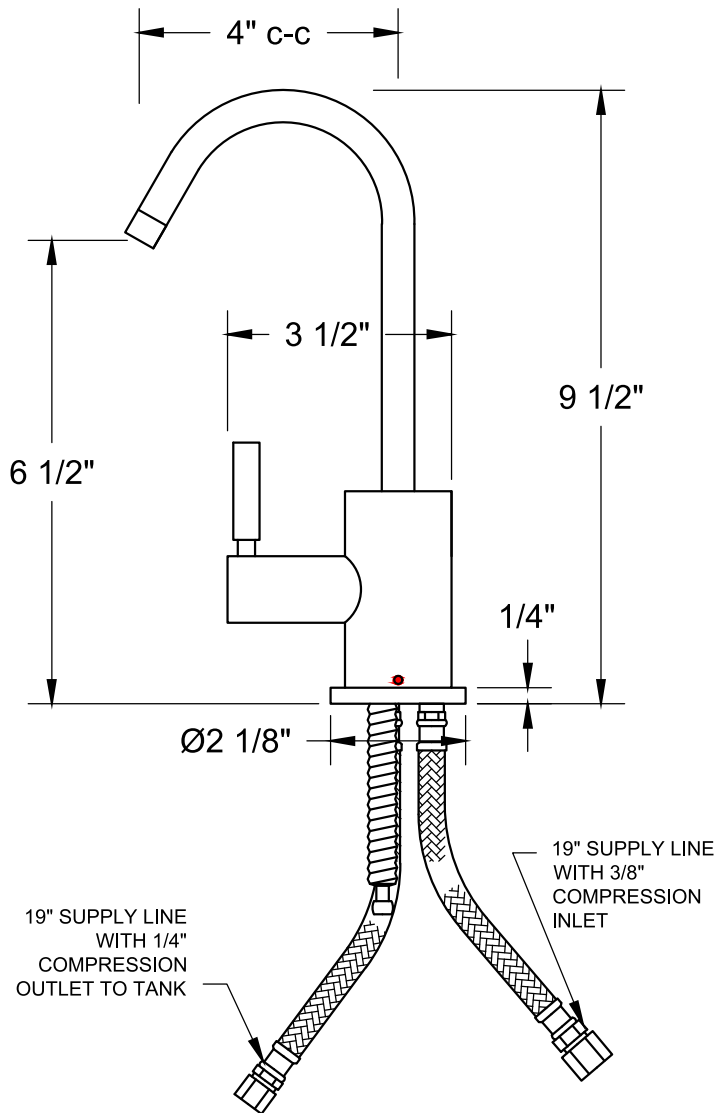


MT1400-NL

HOT WATER FAUCET WITH CONTEMPORARY ROUND BODY AND HANDLE

SPECIFICATION SHEET



- INTENDED FOR USE WITH THE LITTLE GOURMET® HEATING TANK MT641-3 (SOLD SEPARATELY)
- Ø1 3/8" MOUNTING HOLE REQUIRED
- WILL FIT DECK UP TO 2 1/4" THICK
- 1/4 TURN CERAMIC CARTRIDGE
- REVERSE OSMOSIS SAFE (OPTIONAL AIR GAP AG1400 SOLD SEPARATELY)
- INCLUDES CONNECTION HARDWARE AND 2 FT SILICONE HOSE TO CONNECT TO HOT TANK
- COMPATIBLE WITH MT1250XL, MT660, AND MT662-2 FILTRATION SYSTEMS (SOLD SEPARATELY)

WARRANTY

FOR WARRANTY INFO PLEASE VISIT WWW.MOUNTAINPLUMBING.COM/PAGE/RESOURCES/WARRANTY

FINISH CARE & MAINTENANCE

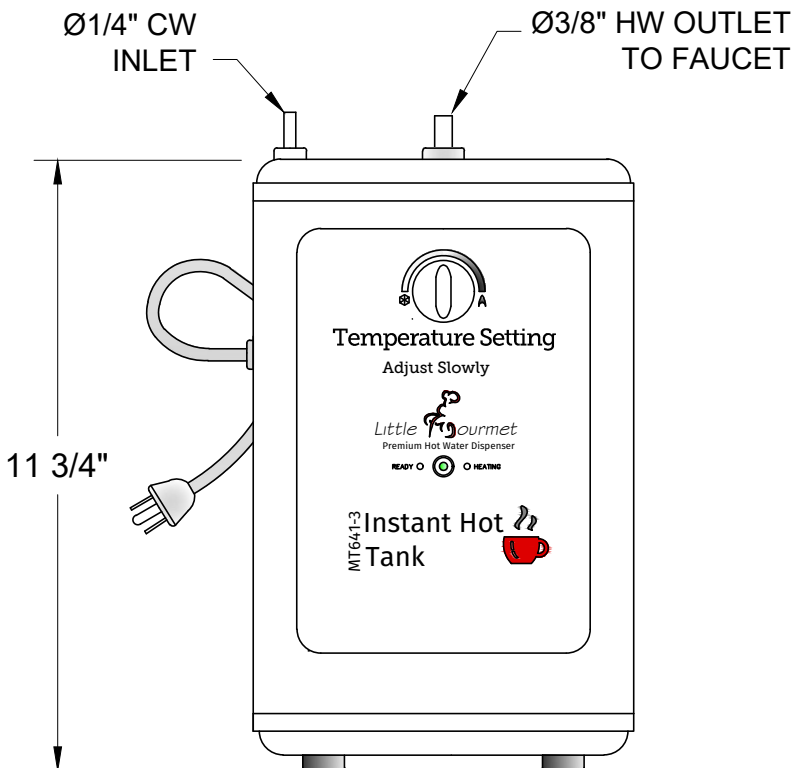
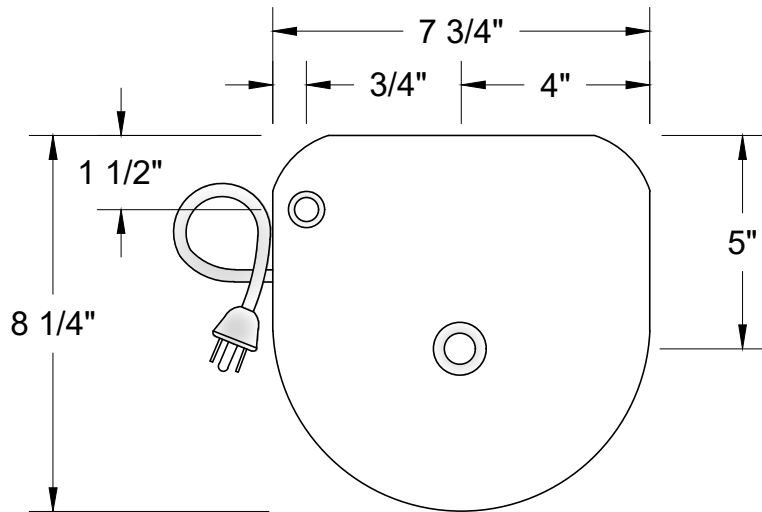
NEVER USE ANY HARSH ALKALI, ACID BASED DETERGENTS OR CLEANERS SUCH AS SOFT SCRUB®, SCRUBBING BUBBLES® OR COMET® TO CLEAN. DO NOT USE BRILLO® AND SCOTCH BRITE® PADS. THESE WILL ALL HARM THE FINISH. TO CLEAN, USE ONLY A DAMP SOFT CLOTH AND WIPE USING A SOFT CLOTH. STANDARD WINDEX® CAN ALSO BE USED SPARINGLY. IT IS NOT NECESSARY TO WIPE HARD TO REMOVE SPOTS. TO MAINTAIN THE FINISH, WIPE WITH A SOFT DRY CLOTH AFTER USE. AN OCCASIONAL COAT OF PURE CARNAUBA WAX WITHOUT CLEANERS WILL HELP PROTECT THE FINISH.

SPECIFICATIONS SUBJECT TO CHANGE WITHOUT NOTICE

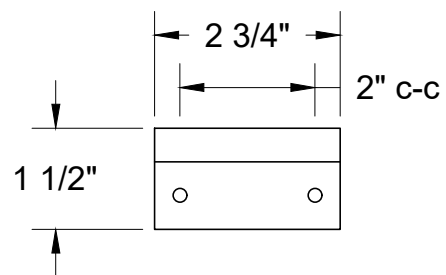
MT641-3

LITTLE GOURMET® PREMIUM HOT WATER DISPENSER

SPECIFICATION SHEET



- 5/8 GALLON STAINLESS STEEL TANK
- ALL STAINLESS STEEL TUBES AND CASE
- RO FILTER COMPATIBLE
- HEATS 60 CUPS PER HOUR
- 3 YEAR WARRANTY TO ORIGINAL PURCHASER (SEE INFORMATION BELOW)
- MOUNTING BRACKET INCLUDED



ELECTRICAL SPECIFICATIONS

- 120 VAC, 60 HZ, 1300 WATTS
- 10.83 AMPS - CONNECT TO 15 OR 20 AMP CIRCUIT
- MAX TEMP 190°F ± 5°F
- \$4.75 ESTIMATED MONTHLY COST (VARIES BY LOCALITY)
- BASED ON 12 8oz CUPS PER DAY

WARRANTY

FOR WARRANTY INFO PLEASE VISIT WWW.MOUNTAINPLUMBING.COM/PAGE/RESOURCES/WARRANTY

SPECIFICATIONS SUBJECT TO CHANGE WITHOUT NOTICE